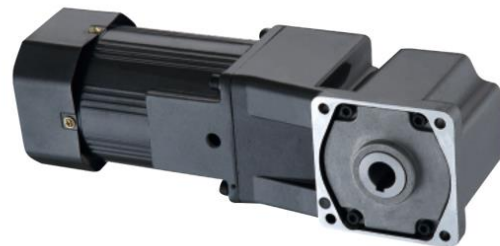


# Model Selection Guide of Right Angle Geared Motor

(Solid Shaft / Hollow)

(Shaft Direction: Left, Right, Double)



Electric Geared Reducer Motor Manufacturer

Electric Geared Reducer Motor Manufacturer

## Interpretation

Right angle gear motors are characterized by having a driveshaft (the motor's shaft) and output shaft of the speed reducer that are 90 degrees from each other. Depending on the requirements for the transmission, shafts can cross on a single plane or on two parallel planes, which would result in an axial motion.

## Parameter Definition:

5GU

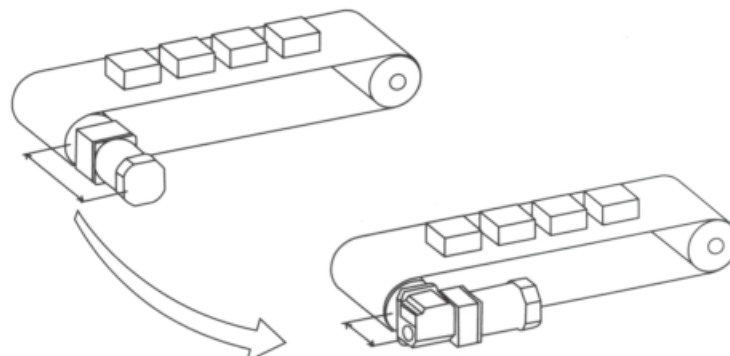
①

-30K

②

RH

③



①	Frame Size	4GU: 80*80mm (Power Range: 25W) 5GU: 90*90mm (Power Range: 40W-140W) 6GU: 104*104mm (Power Range: 120W-300W)
②	Gear Ratio	-30K: 1:30
③	Output Shaft Type	RH: Hollow RA: Solid

**Notes:**

- 1) During installing shaft coupling or belt pulley on the output shaft of right angle geared motor, Tap mounting way is not allow, otherwise it will cause damage inside the reducer (gearbox).
- 2) When connecting with other machines, please confirm the rotation direction first, because the wrong direction of rotation will damage device.
- 3) Please do not run the motor when the junction box is open.
- 4) Please clean up the water, grease, and others on the brake before running, otherwise, the brake failure will cause accidents.